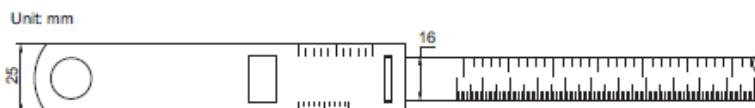
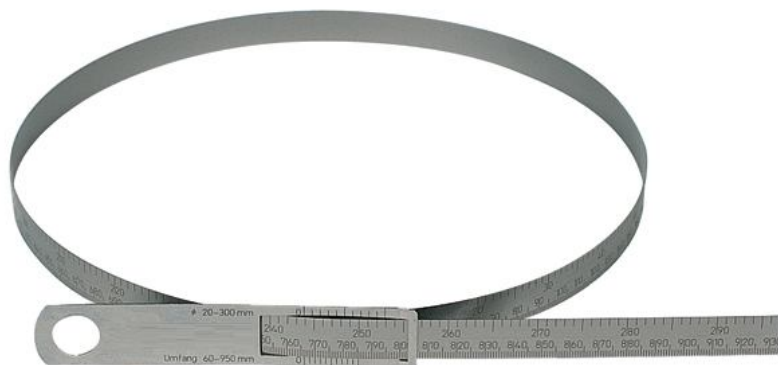
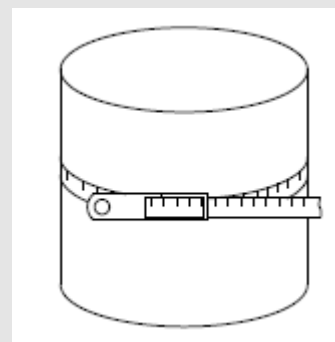


Icon and Instruction For your reference



## FEATURES

Made of stainless steel



ID	Diameter Range	Circumference Range	Resolution
	Ø mm	mm	mm
<a href="#">678-121</a>	20-300	60-950	0.1mm
<a href="#">678-122</a>	300-700	940-2200	0.1mm
<a href="#">678-123</a>	700-1100	2190-3460	0.1mm
<a href="#">678-124</a>	1100-1500	3450-4720	0.1mm
<a href="#">678-125</a>	1500-1900	4710-5980	0.1mm
<a href="#">678-126</a>	1900-2300	5960-7230	0.1mm
<a href="#">678-127</a>	2300-2700	7220-8500	0.1mm
<a href="#">678-128</a>	2700-3100	8490-9760	0.1mm
<a href="#">678-129</a>	3100-3500	9730-11010	0.1mm



### TRESNA - U.S.A.

**Headquarters and Main Factory**  
Guilin Guanglu Measuring Instrument Co., Ltd.

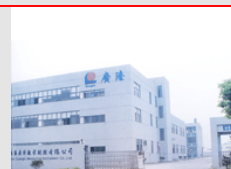
Telephone: 1 800 717 58 18  
(United States and Canada)  
FAX: +49 201 2486711



### TRESNA - GERMANY

**Guanglu Europa GmbH**  
Kruppstr. 82 - 100  
45145 Essen, Germany

Telephone: +49 201 2486350  
FAX: +49 201 2486711



### TRESNA - CHINA

**Wuxi Guanglu Measuring Instrument Co., Ltd.**  
Kruppstr. 82 - 100 No.90, MeiYu Road Mei Cun, Wuxi Province 214028 China

Telephone: 510 88151078  
FAX: 86 510 88152298